



GAST MANUFACTURING, INC.
 A Unit of IDEX Corporation
 Post Office Box 97
 Benton Harbor, Michigan
 Ph: 269/926-6171
 Fax: 269/925-8288

PART NUMBER:
 LTD144

REV.
 E

Product Specifications

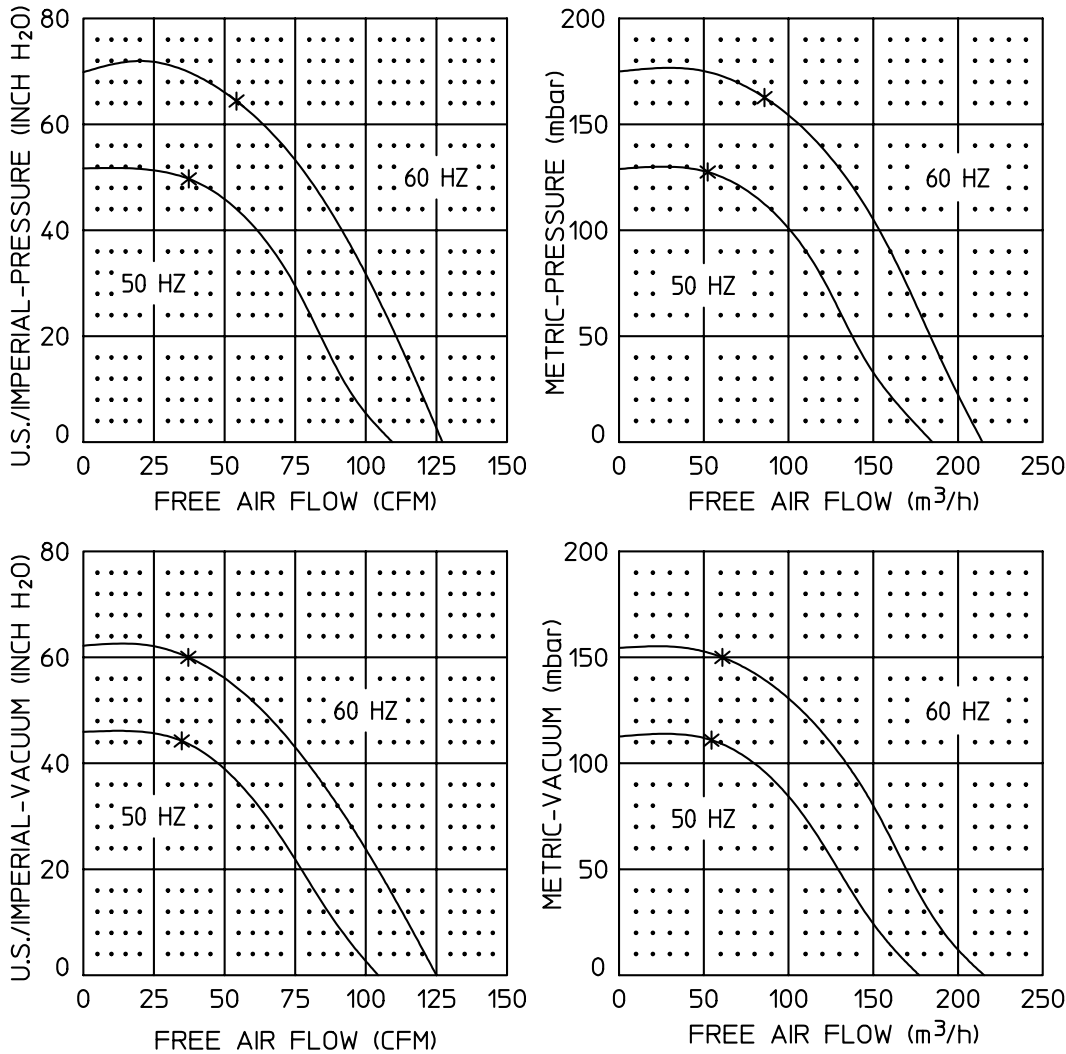
MODEL NUMBER	MOTOR SPECIFICATIONS	RPM	MAX VAC		MAX PRESS		HP	kW	NET WT.	
			"H ₂ O	mbar	"H ₂ O	mbar			lbs.	kg
R4P115	110/220-240-50-1	2850	45	112	50	125	1.0	0,75	62	28,2
	115/208-230-60-1	3450	60	149	65	162	1.5	1,1		

SOUND LEVEL 74/72 dB(A) MAX. @ 60/50 Hz
 NORMAL AMBIENT -29°C TO 40°C
 RELATIVE HUMIDITY 0% - 100% NON CONDENSING
 ENVIRONMENT CLEAN DUST FREE

TECHNICAL DATA SUBJECT TO
 CHANGE WITHOUT NOTICE.

* = RECOMMENDED MAXIMUM DUTY

Product Performance (Metric U.S. Imperial)



PERFORMANCE DATA
 THE PERFORMANCE DATA SHOWN WAS DETERMINED
 UNDER THE FOLLOWING CONDITIONS:

LINE VOLTAGE @ 60 Hz. 230V OR 460V FOR 3 PHASE
 UNITS. 115V OR 230V FOR 1 PHASE UNITS.

LINE VOLTAGE @ 50 Hz. 220V FOR 3 PHASE OR 1
 PHASE UNITS.

UNITS IN A TEMPERATURE STABLE CONDITION.

DELIVERY MEASUREMENTS MADE WITH OUTPUT PORT
 THROTTLED.

SUCTION MEASUREMENTS MADE WITH INPUT PORT
 THROTTLED.

TEST CONDITIONS: INLET AIR DENSITY @ 0.075 lbs. per
 cu. ft. [20°C (68°F), 29.92" Hg (14.7 PSIA)].

NORMAL PERFORMANCE VARIATIONS ON THE RISISTANCE
 CURVE WITHIN ±10% OF SUPPLIED DATA CAN BE EXPECTED.

Product Dimensions

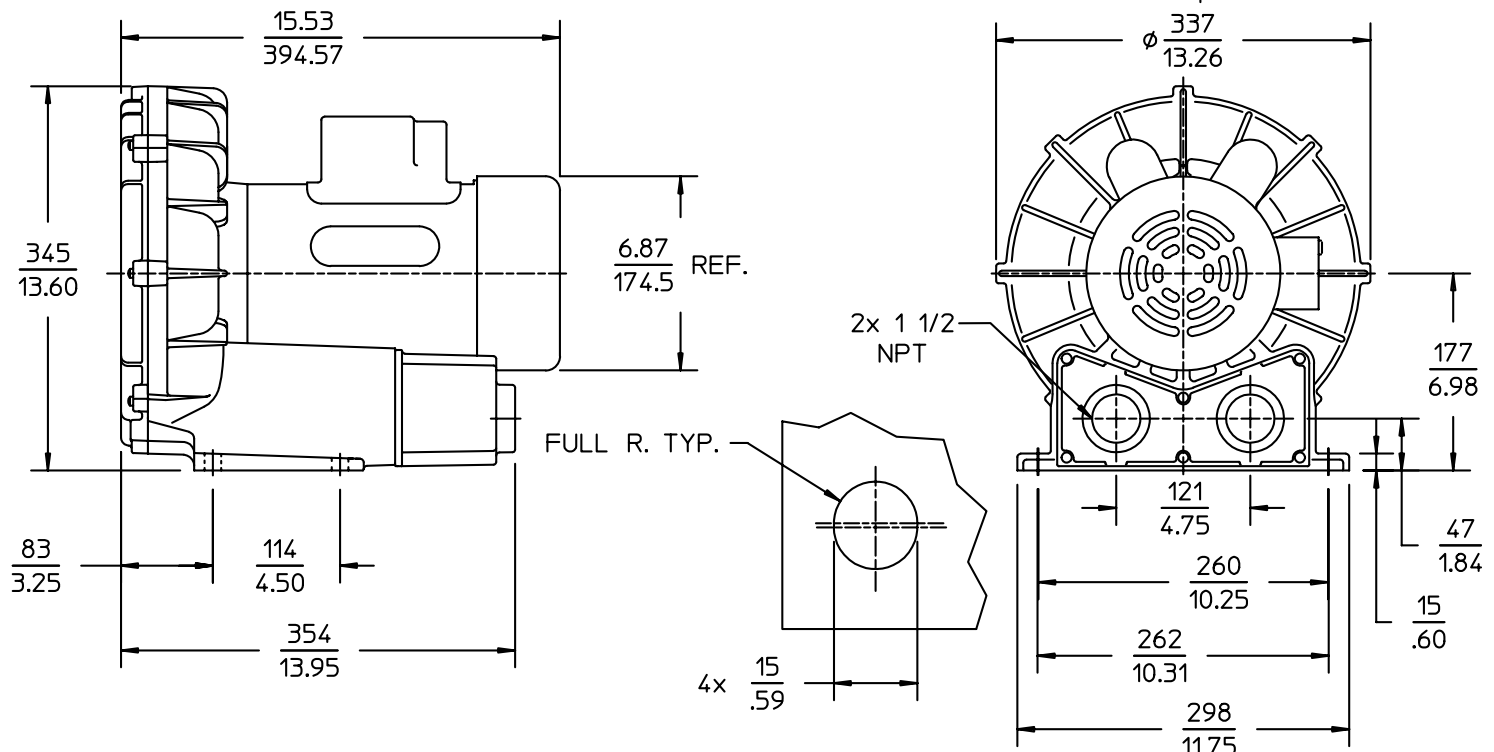
Metric (mm) / U.S. Imperial (inches)

LOW VOLTAGE, SINGLE PHASE

- P1 — LINE
- P2 — TIE TOGETHER
- T3 — & INSULATE
- T2 — LINE
- T4 — LINE

HIGH VOLTAGE, SINGLE PHASE

- P1 — LINE
- P2 — INSULATE
- T3 — TIE TOGETHER
- T2 — & INSULATE
- T4 — LINE



WIRING DIAGRAM