



GAST MANUFACTURING, INC.  
 A Unit of IDEX Corporation  
 Post Office Box 97  
 Benton Harbor, Michigan  
 Ph: 269/926-6171  
 Fax: 269/925-8288

PART NUMBER:  
 LTD163

REV.  
 D

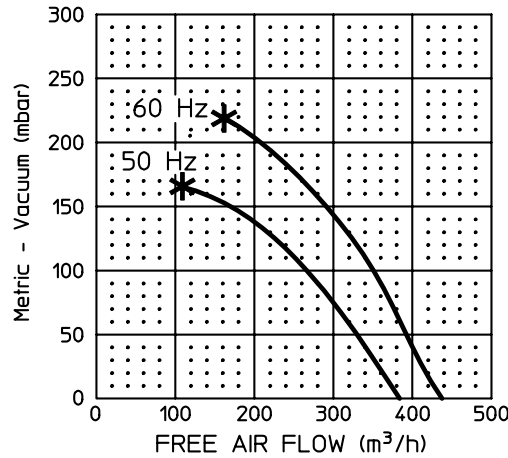
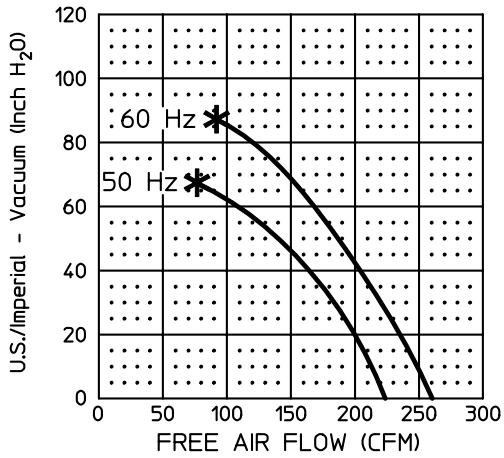
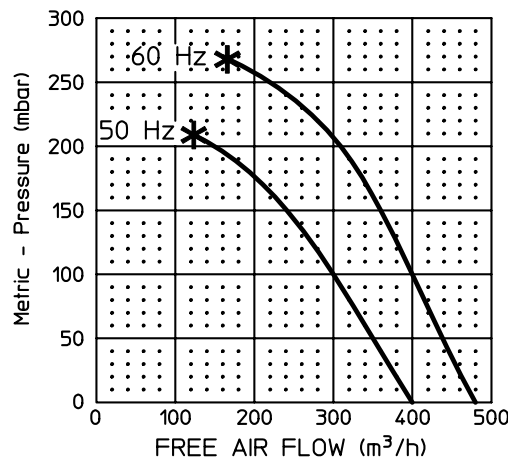
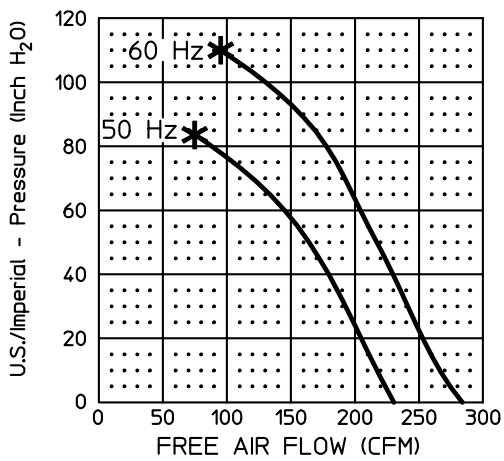
Product Specifications

MODEL NUMBER	MOTOR SPECIFICATIONS	RPM	MAX VAC		MAX PRESS		HP	kW	NET WT.	
			"H <sub>2</sub> O	mbar	"H <sub>2</sub> O	mbar			lbs.	kg
R6P355A	190-220/380-415-50-3	2850	70	174	85	212	5	3,7	215	98
	208-230/460-60-3	3450	90	224	110	274	5.5	4,1		

SOUND LEVEL 79/73 dB(A) MAX. @ 60/50 Hz  
 NORMAL AMBIENT -29°C TO 40°C  
 RELATIVE HUMIDITY 0% - 100% NON CONDENSING  
 ENVIRONMENT CLEAN DUST FREE

TECHNICAL DATA SUBJECT TO  
 CHANGE WITHOUT NOTICE.

Product Performance (Metric U.S. Imperial)



PERFORMANCE DATA  
 THE PERFORMANCE DATA SHOWN WAS DETERMINED  
 UNDER THE FOLLOWING CONDITIONS:

LINE VOLTAGE @ 60 Hz. 230V OR 460V FOR 3 PHASE  
 UNITS. 115V OR 230V FOR 1 PHASE UNITS.

LINE VOLTAGE @ 50 Hz. 220V FOR 3 PHASE OR 1  
 PHASE UNITS.

UNITS IN A TEMPERATURE STABLE CONDITION.

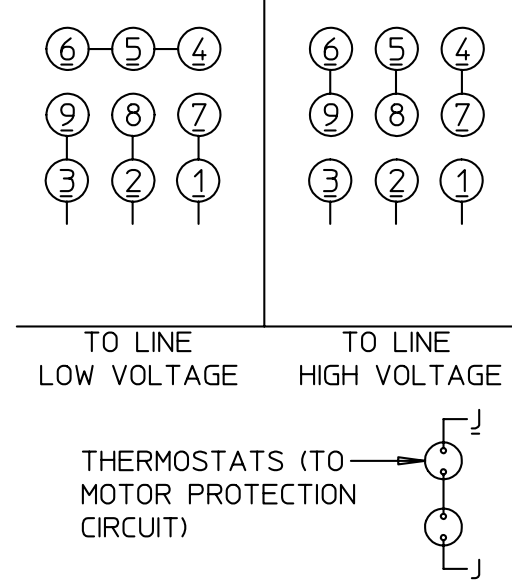
DELIVERY MEASUREMENTS MADE WITH OUTPUT PORT  
 THROTTLED.

SUCTION MEASUREMENTS MADE WITH INPUT PORT  
 THROTTLED.

TEST CONDITIONS: INLET AIR DENSITY @ 0.075 lbs. per  
 cu. ft. [20°C (68°F), 29.92" Hg (14.7 PSIA)].

NORMAL PERFORMANCE VARIATIONS ON THE RISTANCE  
 CURVE WITHIN ±10% OF SUPPLIED DATA CAN BE EXPECTED.

\* DENOTES RECOMMENDED  
 MAXIMUM DUTY



Product Dimensions

Metric (mm) U.S. Imperial (inches)

