



GAST MANUFACTURING, INC.
 A Unit of IDEX Corporation
 Post Office Box 97
 Benton Harbor, Michigan
 Ph: 269/926-6171
 Fax: 269/925-8288

PART NUMBER:

LTD188

REV.

B

Product Specifications

MODEL NUMBER	MOTOR SPECIFICATIONS	RPM	MAX VAC		MAX PRESS		HP	kW	NET WT.	
			"H ₂ O	mbar	"H ₂ O	mbar			lbs.	kg
R7100R-50	208-230/460-60-3	3450	110	274	100	248	10	7,5	316	143
	190-220/380-415-50-3	2850	85	212	90	224	8	6		

REDUCE MAX. DUTY RATINGS BY 10" H₂O WHEN OPERATING FROM 207 TO 187 VOLTS 60 Hz.

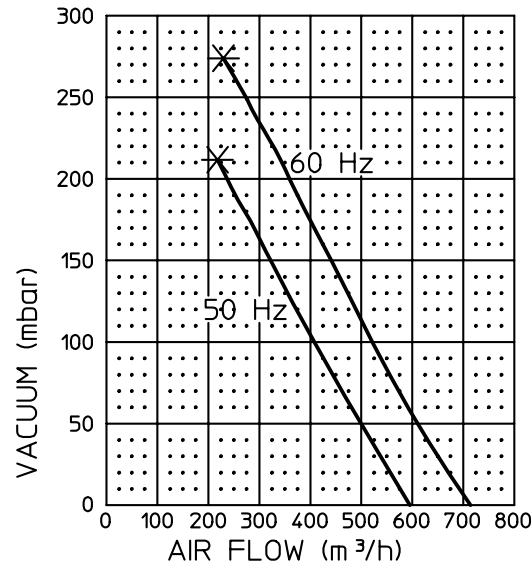
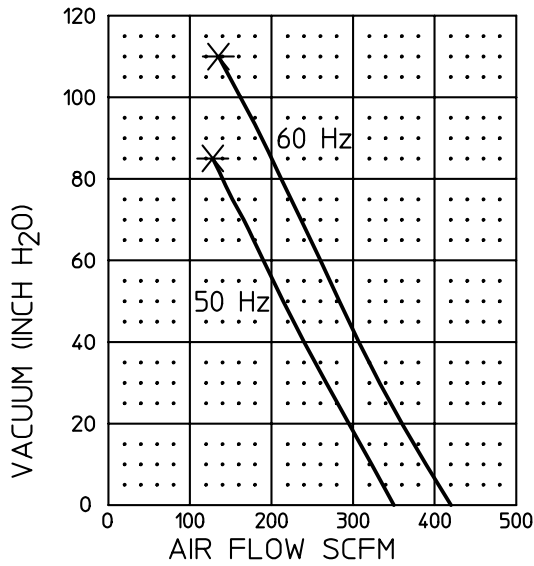
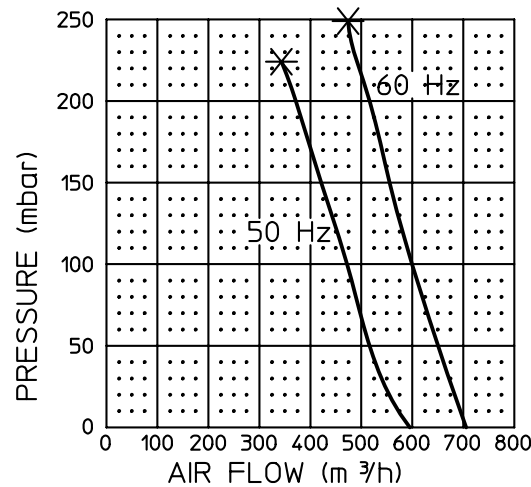
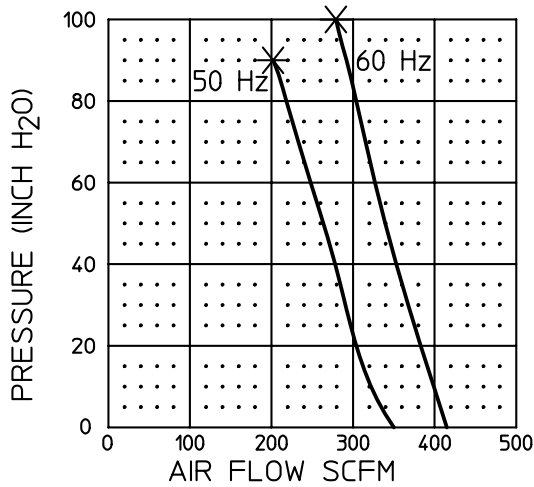
SOUND LEVEL 78/75 dB(A) MAX. @ 60/50 Hz
 NORMAL AMBIENT -29°C TO 40°C
 RELATIVE HUMIDITY 0% - 100% NON CONDENSING
 ENVIRONMENT CLEAN DUST FREE

UL AND CSA APPROVED MOTOR FOR EXPLOSIVE GAS ATMOSPHERES CLASS 1, GROUP D.

THIS BLOWER IS DESIGNED FOR SOIL AND GROUND WATER REMEDIATION.

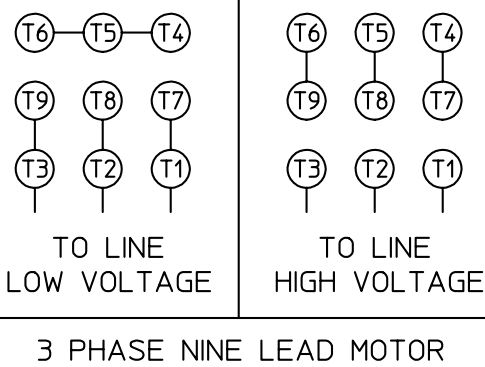
TECHNICAL DATA SUBJECT TO CHANGE WITHOUT NOTICE.

Product Performance

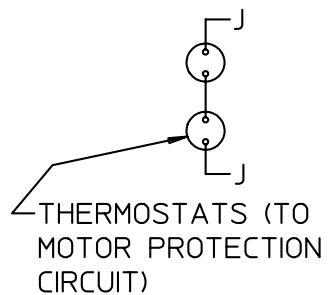


* DENOTES RECOMMENDED MAXIMUM DUTY

MOTOR WIRING DIAGRAM



3 PHASE NINE LEAD MOTOR



LIFTING PLATE CAN BE TURNED OR REMOVED AFTER BLOWER INSTALLATION.

2x 2 1/2 NPT

Product Dimensions inches / mm

