



GAST MANUFACTURING, INC.  
 A Unit of IDEX Corporation  
 Post Office Box 97  
 Benton Harbor, Michigan  
 Ph: 269/926-6171  
 Fax: 269/925-8288

PART NUMBER:

LTD233

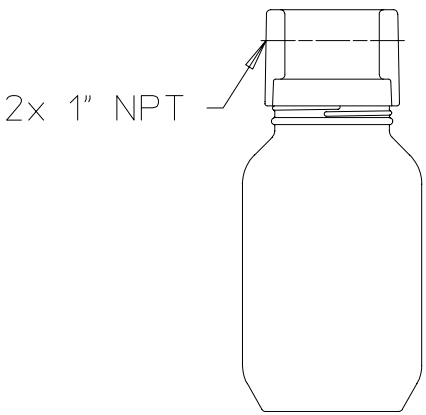
REV.:

A

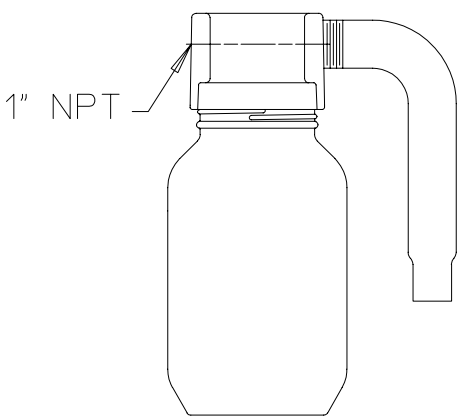
NOTES:

1. TECHNICAL DATA SUBJECT TO CHANGE WITHOUT NOTICE.

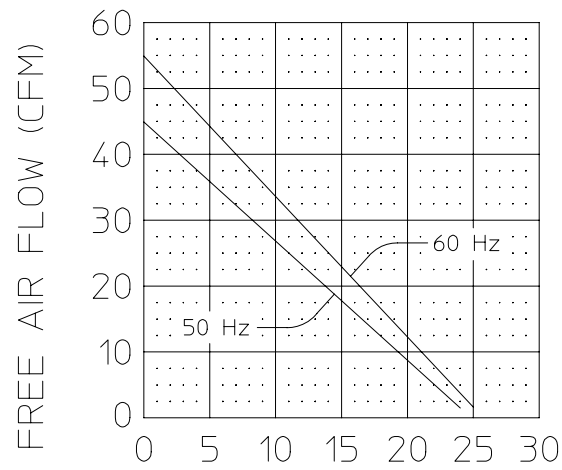
SOUND LEVEL LESS THAN 90 dB(A)  
 NORMAL AMBIENT +1 degC - +40 degC  
 RELATIVE HUMIDITY 8% - 100% NON-CONDENSING  
 ENVIRONMENT CLEAN DUST FREE



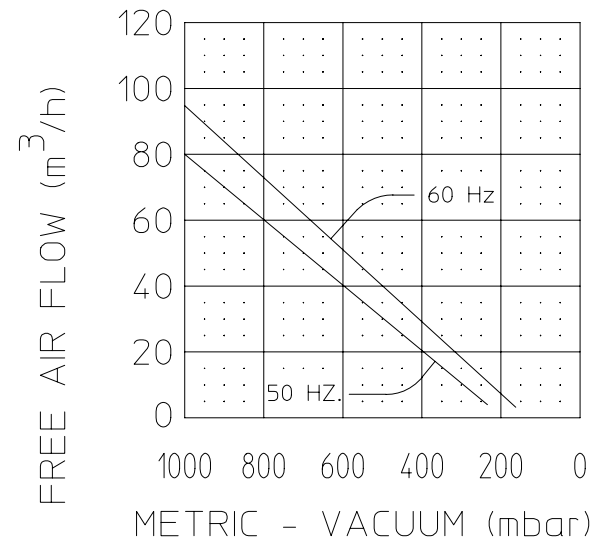
FILTER ASM.



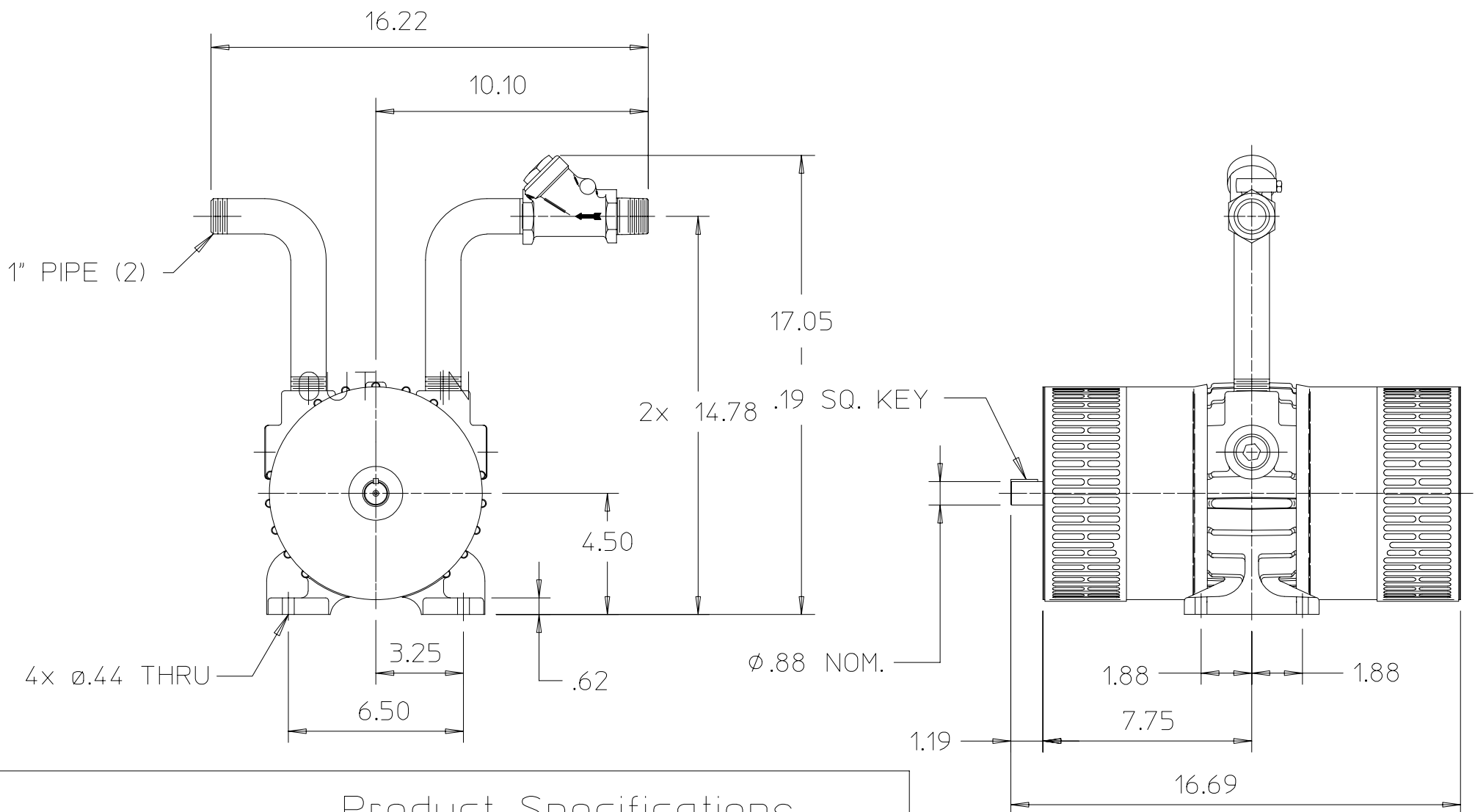
MUFFLER ASM.



U.S./IMPERIAL - VACUUM (INCH Hg)



METRIC - VACUUM (mbar)



Product Specifications

Model Number	RPM		HP	kW	Net Wt.	
	60 HZ.	50 HZ.			lbs.	kg
6066-V103	1750	1425	5.0	3.73	92	41,4

