



GAST MANUFACTURING, INC.
 A Unit of IDEX Corporation
 Post Office Box 97
 Benton Harbor, Michigan
 Ph: 269/926-6171
 Fax: 269/925-8288

PART NUMBER:

RTD158

REV.

F

Product Specifications

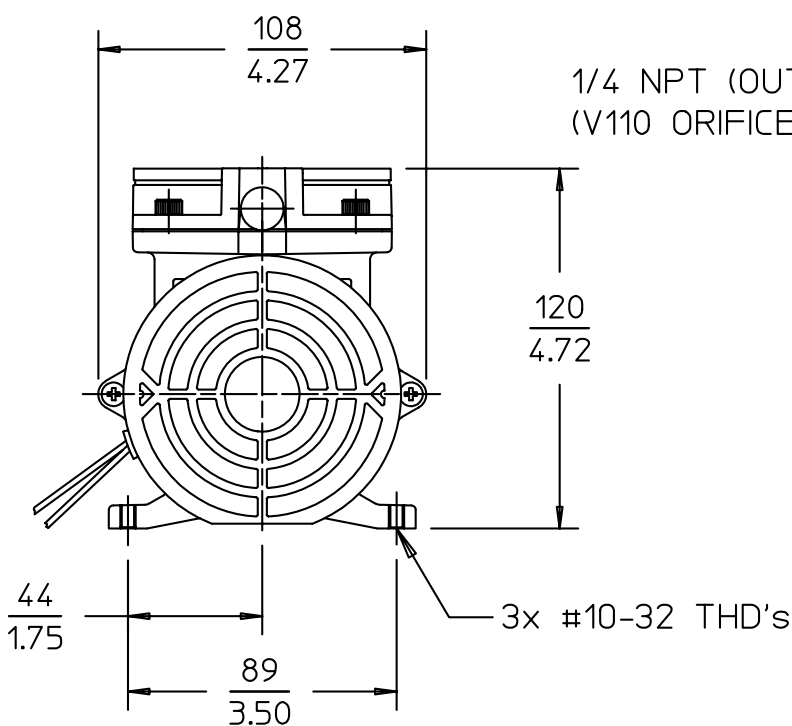
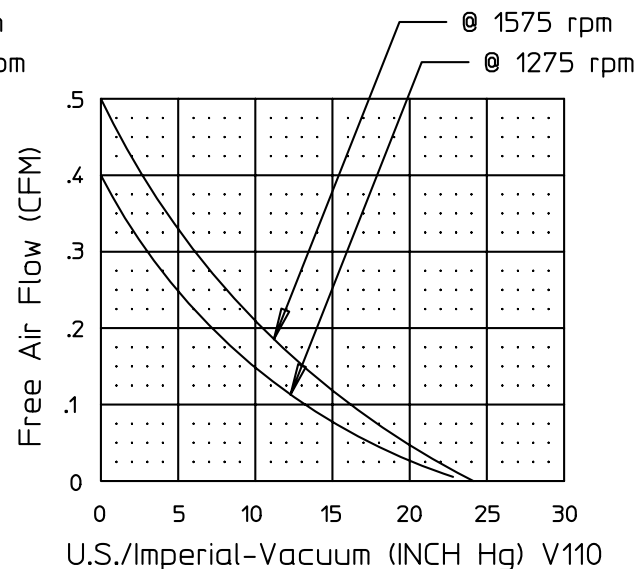
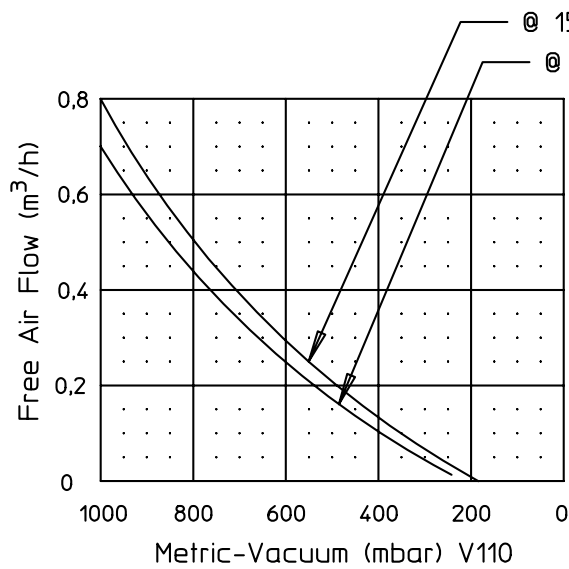
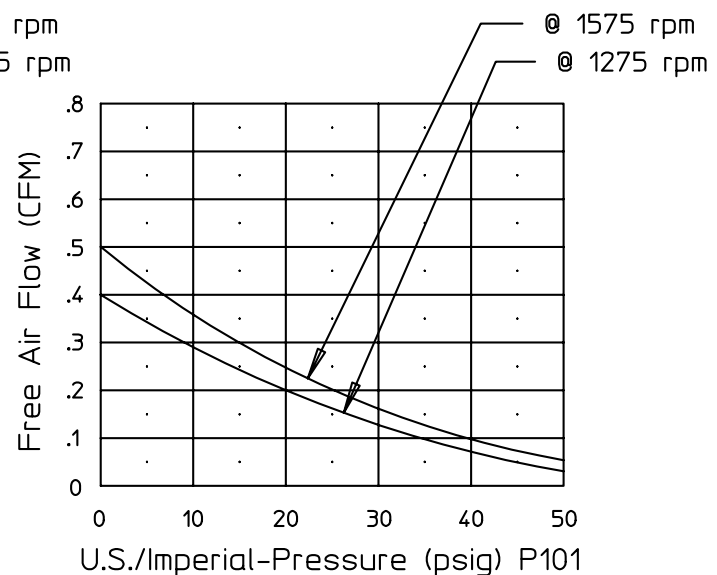
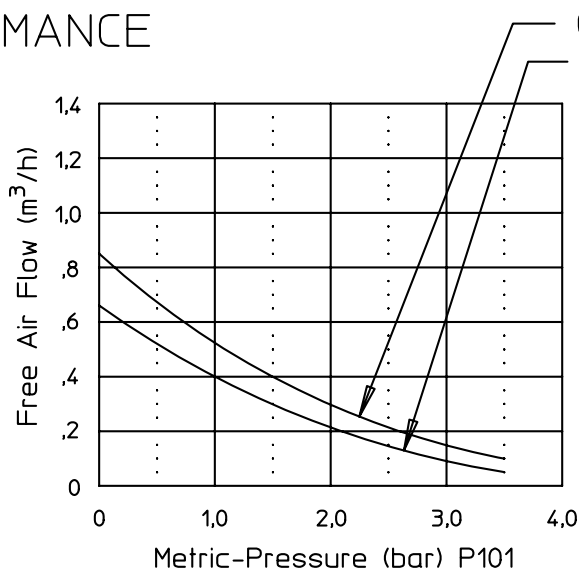
Model Number	Motor	RPM		HP	kW	Net Wt.		AMPS	CAPACITOR mfd. - volts
		60 cycle	50 cycle			lbs.	kg		
MOA-P101-CD	230/220-1	1575	1275	1/16	0,05	5.3	2,4	1.0/1.3	----
MOA-V110-CD	230/220-1	1575	1275	1/16	0,05	5.3	2,4	1.0/1.2	----
MOA-P182-CD	230/220-1	1575	1275	1/16	0,05	5.3	2,4	1.0/1.2	----

SOUND LEVEL Less than 70 dB(A)
 NORMAL AMBIENT +5 degC - +40 degC
 RELATIVE HUMIDITY 20% - 80%
 ENVIRONMENT Clean Dust Free

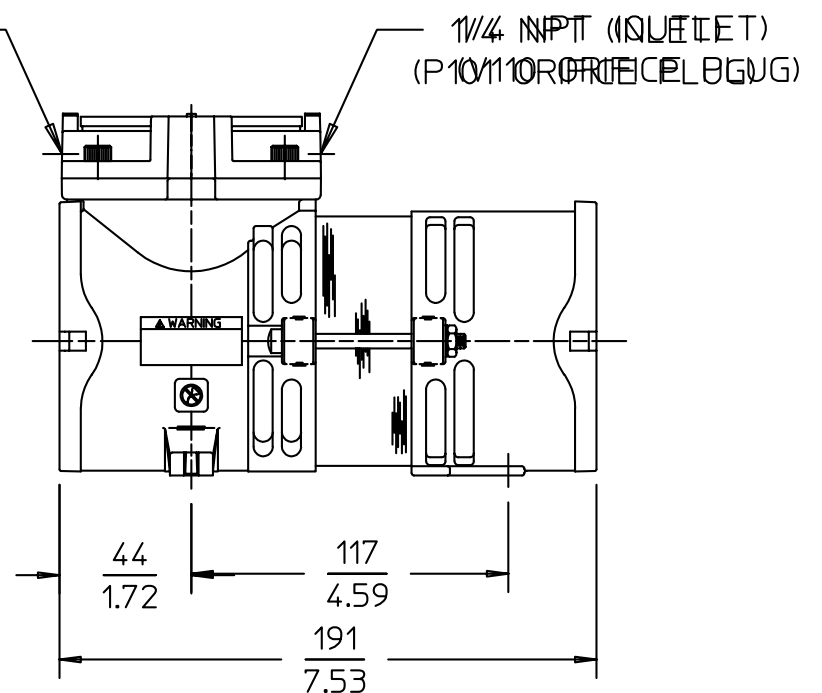
NOTES:

1. ALL DIMENSIONS ARE FOR REFERENCE USE ONLY.
2. PRODUCT DIMENSIONS: U.S. IMPERIAL (inches) METRIC (mm).
3. * = TECHNICAL DATA SUBJECT TO CHANGE WITHOUT NOTICE.
4. INSTALLATION: THIS PUMP MUST BE INSTALLED IN AN ENCLOSURE.

PRODUCT PERFORMANCE



1/4 NPT (OUTLET)
(V110 ORIFICE PLUG)



1/4 NPT (OUTLET)
(P101 ORIFICE PLUG)